

Bradford Fireseal[®] Party Wall Batts

Refer to product table below for applicable product codes covered by this document

Issue **G**

Product Type & Application

Bradford Fireseal[®] Party Wall Batts are non-combustible, plain (unfaced) Rockwool insulation. These products are intended for use as inter-tenancy wall insulation in Class 1 Buildings only.

Compliance with the NCC

For use in Australia, when correctly specified and installed, this product provides the following compliance:

NCC 2022

- **Non-Combustibility** - Meets the non-combustible requirements of NCC 2022 Volume 1 Amend. 2 C2D10(1) when assessed in accordance with AS 1530.1.
- **Fire Hazard Properties** - Meets the requirements of the NCC 2022 Volume 1 Amend. 2 S7C7 for insulation materials. When assessed to AS/NZS 1530.3 this product does not exceed the 'Spread of Flame' or 'Smoke Developed' indices of Table S7C7.
- **Thermal** - When uncompressed this product complies with NCC 2022 Volume 1 Amend. 2 J4D3(1) and ABCB Housing Provisions Standard 2022 Amend. 2 13.2.2(1). This product meets the requirements of the NCC through compliance with AS/NZS 4859.1.
- **Fire Protection of Separating Walls** - Meets the definition of 'mineral fibre' in the Deemed to Satisfy requirements for Separating Walls in the ABCB Housing Provisions Standard 2022 Amend. 2 9.3.1(4)(b).

NCC 2019

- **Non-Combustibility** - Meets the non-combustible requirements of NCC 2019 Volume 1 Amend. 1 C1.9(a) when assessed in accordance with AS 1530.1.
- **Fire Hazard Properties** - Meets the requirements of the NCC 2019 Volume 1 Amend. 1, Specification C1.10 Clause 7 for insulation materials. When assessed to AS/NZS 1530.3 this product does not exceed the 'Spread of Flame' or 'Smoke Developed' indices of Specification C1.10 Clause 7.
- **Thermal** - When uncompressed this product complies with NCC 2019 Volume 1 Amend. 1 Section J1.2(a), NCC 2019 Volume 2 Amend. 1 Section 3.12.1.1(a), and all state-prescribed variations. This product meets the requirements of the NCC through compliance with AS/NZS 4859.1.
- **Fire Protection of Separating Walls** - Meets the definition of 'mineral fibre' in the Deemed to Satisfy requirements for Separating Walls in NCC 2019 Volume 2 Amend. 1 3.7.3.2(d)(ii).

Limitations of Use

- **IMPORTANT:** Do Not Modify This Product: Compliance with the evidence of suitability data referenced in this document is only achieved by the product or configuration listed in this PTS.
- This product does not meet the fusion temperature requirements of AS 1668.1 – The use of ventilation and air conditioning in buildings, 2.3.2.
- This product is not suitable for use as an exposed internal wall or ceiling lining in applications which require a Group Number in accordance with AS ISO 9705 and AS 5637.1 (NCC 2019 Volume 1 Amend. 1, Specification C1.10 Clause 4, NCC 2022 Volume 1 Amend. 2 S7C4).
- Unfaced Rockwool is not a water or vapour barrier and is not suitable for water or vapour control.
- Not suitable for use in BAL-FZ.
- R-values given are for products which are uncompressed. The R-value will be reduced when compressed, and the new R-value must be calculated on a case-by-case basis.

Evidence of Suitability

- Testing and Professional Assessment, AS 1530.1 -
 - Warringtonfire Assessment FAS210056.
- Testing and Professional Assessment, AS/NZS 1530.3 -
 - Warringtonfire Assessment FAS210154.
- Testing to AS/NZS 4859.1 at 23°C in the following report, on nominal (uncompressed) thickness -
 - CSR Lab Report R-20121.

Conditions of Storage, Use & Maintenance

- Store in the original packaging in a cool, dry area, away from foodstuffs. Ensure packages are adequately labelled, protected from physical damage, and sealed when not in use. Avoid packaging being stored under UV light (direct sunlight) for long periods.

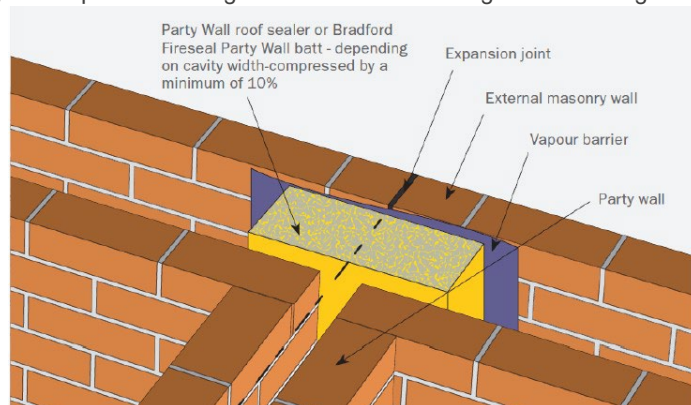
Refer to the product SDS at Bradfordinsulation.com.au for more information.

Rockwool Fireseal® Party Wall Batts

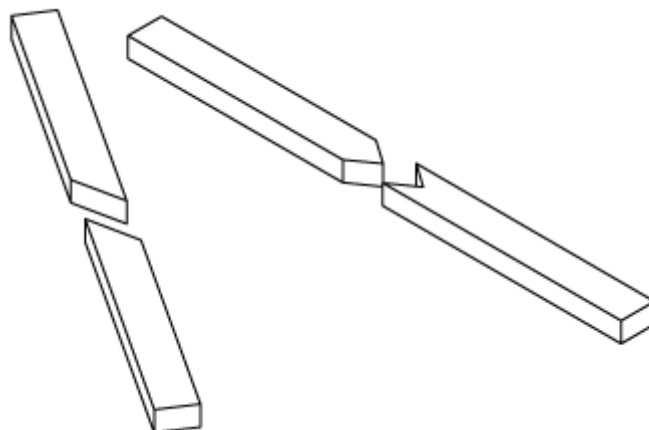
Specific Design or Installation Instructions

- Isolate power before installation.
- **Caution:** Electrical cables and equipment partially or completely surrounded with bulk thermal insulation may overheat and fail. In new build construction with electrical wiring in accordance with AS/NZS 3000:2018 or later, wiring may be partially or completely surrounded for up to 400mm. If more than 400mm is surrounded, or for wiring pre AS/NZS 3000:2018, seek advice from a licenced electrician. Refer to legislation and referenced standards for full details or seek advice from an electrician if in doubt.
- When used for thermal insulation –
 - The product should not be installed compressed as it will not reach the stated R-value.
 - Bulk insulation must be installed so that it maintains its position and thickness, other than where it crosses water pipes, electrical cabling or the like, or roof battens in Class 1 and 10 buildings, or cladding and supporting members in Class 2-9 buildings.
 - Stated thermal performance is based on bulk insulation only. The effects of thermal bridging and any added reflective R-value contributions are construction dependent and must be determined in the accordance with AS/NZS 4859.2.
- R-values given are for products which are uncompressed. The R-value will be reduced when compressed, and the new R-value must be calculated on a case-by-case basis.
- Suitable for applications that specify non-combustible bulk insulation products - not suitable for exposed internal wall and ceiling lining applications that require a Group Number.
- Insulation should be installed so that it forms a continuous layer and abuts or overlaps adjoining insulation other than at supporting members such as columns, studs, noggings, joists, furring channels and the like where the insulation must butt against the member.
- Suitable for interior applications where the product is protected from direct UV light, water and wind pressure during and after installation.
- When used as compressed packing in a separating wall improved sealing can be achieved through the following measures -

- Install with at least 10% compression when used as a party wall to external wall junction seal in cavities ≤ 50mm.
- Cut to length accurately and abut to adjacent batts to ensure a tight fit with no gaps when installed vertically.



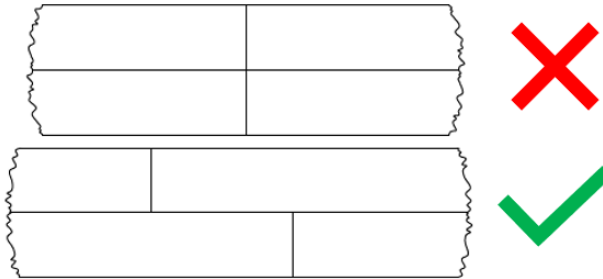
- To extend the length of a Fireseal Party Wall Batt, cut an angled or wedge profile at the end of each batt to be joined to create a spliced joint.



Rockwool Fireseal® Party Wall Batts

Specific Design or Installation Instructions cont.

- Stagger joints vertically in an installation with multiple stacked batts.



For general installation guidance refer to the product installation guide at Bradfordinsulation.com.au

Supplementary information - Additional installation guidance for this product can be found in AS3999.

Applicable Product Codes

R-VALUE [m ² K/W]*	THICKNESS [mm]	NOMINAL LENGTH [m]	NOMINAL WIDTH [mm]	PIECES PER PACK	NOMINAL COVERAGE [m ² per Pack]	LINEAL METERS PER PACK [m]	PRODUCT CODE
R2.80	100	1.2	168	5	1.08	6	119161

*The stated R-value can be met when used uncompressed as thermal insulation. It will not be achieved if the product is installed as compressed packing in a separating wall. The compressed R-value must be calculated on a case-by-case basis.

Material R-values are determined in accordance with AS/NZS 4859.1 at 23°C and apply to the product installed at nominal thickness.

Additional Product Data

PROPERTY	STANDARD	RESULT
Density		75 kg/m ³
Fusion Temperature	ASTM E 794	Onset Melting Temperature >1200°C
Non-Combustibility	When assessed to AS 1530.1	Non – Combustible
Fire Hazard Properties	When assessed in accordance with AS/NZS 1530.3	• Ignitability: 0 • Spread of flame: 0 • Heat Evolved: 0 • Smoke Developed: 1

Rockwool Fireseal[®] Party Wall Batts

Other Accreditation



FBS-1 Rockwool - The fibre component of these products is listed by Safe Work Australia as Man-made Vitreous Fibre (Rockwool) of low bio persistence as specified under Note Q in the Australian Hazardous Substances Information System and in the Australian Approved Criteria documentation. In accordance with EU ATP 31 (2009) these fibres are not classified as an irritant, or as carcinogenic.
Refer to the product SDS at Bradfordinsulation.com.au for more information.