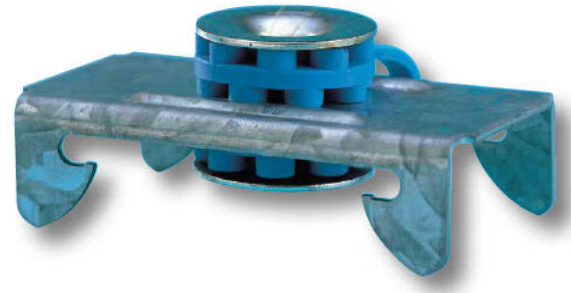




Resilient Mount Clip

Gyprock Resilient Mount Clips are used in conjunction with Rondo steel sections to reduce the transfer of sound through wall and ceiling structures in acoustic wall and ceiling systems where a high level of noise reduction is required. Noise, particularly low frequencies, can transfer through solid structures with sound passing through wall studs, floor and top plates into the adjacent room.

Gyprock Resilient Mounts are furring channel fixing clips with a fastener that is isolated by acrylic pads. The resilient mounts are affixed to the wall frame with furring channels attached and acoustic plasterboard then mounted to the frame. An associated benefit of the use of Resilient Mounts is the air void created which also assists in providing noise reduction.



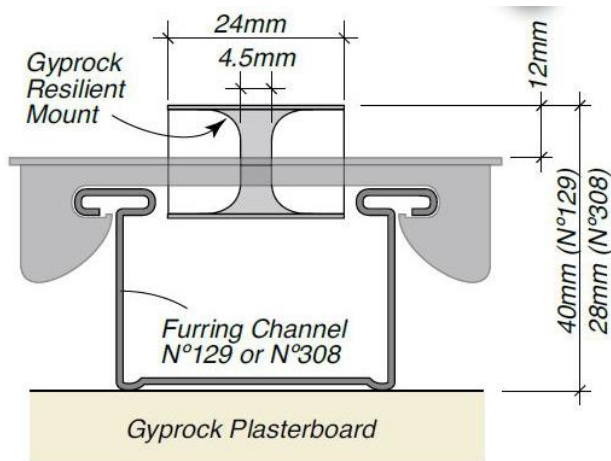
Product Features

Recommended Use

- Acoustic walls and soundproof rooms where a high level of noise reduction is required.

Resilient Mount Clip Dimensions

Furring channels No129 (40mm) or No308 can be used depending on individual installation requirements.



Acoustic Properties

Helps combat sound transmission



Resources

For further information on this product please visit www.gyprock.com.au or refer to the Gyprock Red Book. For technical support, contact:



Gyprock plasterboard products are manufactured for life with all CSR products designed to achieve optimal performance when part of a CSR integrated system.

DESIGNLINK[™]

PHONE: 1800 621 117